

Pressure: 0 - 1380 bar

Accuracy:  $\pm 0,25\%$

Voltage: 3 VDC (battery)

- E** Manómetros digitales
- F** Manomètres digitaux
- D** Digitale Manometer



## Options

### Fittings

194 ▶



### Gauge adaptors

190 ▶



## Important

Do not exceed the maximum pressure.

Gauges can be easily installed into the hydraulic system using GA-3 gauge adaptor.

191 ▶

### Protective cover included

Fits over face of gauge for protection in harsh environments.

## Easy and precise pressure monitoring

- Rated for system pressure up to 1380 bar
- Displays in multiple units: bar, psi, mPA, kg/cm<sup>2</sup> (user selectable)
- Zero reset – ensures that gauge reads actual system pressure
- Batteries included, condition indicator on readout
- IP65 rated case design
- Shut off selectable – menu driven
- UL listed, CE and RoHS compliant.

Shown: DGR-2



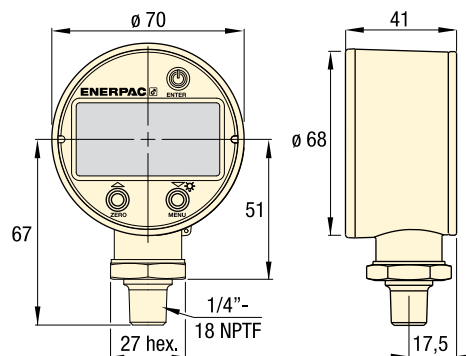
Enerpac digital pressure gauges offer greater accuracy and are easier to read than conventional dial gauges, greatly enhancing your ability to monitor and control hydraulic system pressure.

### DGR-2 Remote Operation

Battery operated for additional flexibility. Includes maximum and minimum pressure capture.

### Back-lit Readout

Back-lit readout allows easy reading in less than ideal lighting.



## Product selection

Pressure rating	Model	Pressure rating	Pressure rating	Pressure rating	
bar		psi	MPa	Kg/cm <sup>2</sup>	
Range Resolution		Range Resolution	Range Resolution	Range Resolution	kg
0 - 1380 0,1	<b>DGR-2</b>	0 - 20.000 1	0 - 140 0,01	0 - 1400 0,1	0,2

Shown: GS-2, G-2512L, GS-3



**Enerpac gauges provide a safe and inexpensive monitoring system for your hydraulic circuit**

**Highly reliable and accurate pressure sensing**

- ± 1,5% accuracy of full scale
- G-series: All pressure sensing parts sealed and damped by glycerine for long life
- Includes safety blow-out disk and pressure equalizing membrane to prevent overpressurization
- Copper alloy, coiled safety Bourdon tube for 70 bar and higher
- Dual bar and psi scale readings, ø63 mm gauge face.

**Gauge accessories for easy installation**

- Needle valves providing positive shut-off
- 303 stainless steel stem (NV-251)
- Snubber valves to control pressure surges between gauge and hydraulic system
- Gauge adaptors – male end screws into pump or cylinder, female port accepts hose or coupler, the third port is for gauge connection
- FM-25NG for panel mounting of ø63 mm gauges.

**Product selection**

Pressure gauge mounting style	Pressure range		Model number	Bar graduation		PSI graduation		A mm	B mm	D mm	G
	bar	psi		Major bar	Minor bar	Major psi	Minor psi				
<b>▼ Pressure gauge – Lower mount</b>											
	0 - 7	0 - 100	<b>G-2509L</b>	1	0,01	10	2	84	37	63	1/4" NPTF
	0 - 11	0 - 160	<b>G-2510L</b>	1	0,02	10	2	84	37	63	1/4" NPTF
	0 - 14	0 - 200	<b>G-2511L</b>	1	0,02	50	5	84	37	63	1/4" NPTF
	0 - 20	0 - 300	<b>G-2512L</b>	5	0,05	50	5	84	37	63	1/4" NPTF
	0 - 40	0 - 600	<b>G-2513L</b>	10	1	100	10	84	37	63	1/4" NPTF
	0 - 70	0 - 1000	<b>G-2514L</b>	10	1	100	20	84	37	63	1/4" NPTF
	0 - 140	0 - 2000	<b>G-2515L</b>	10	2	500	50	84	37	63	1/4" NPTF
	0 - 200	0 - 3000	<b>G-2516L</b>	50	5	500	50	84	37	63	1/4" NPTF
	0 - 400	0 - 6000	<b>G-2517L</b>	100	10	1000	100	84	37	63	1/4" NPTF
	0 - 700	0 - 10.000	<b>G-2535L</b>	100	10	2000	200	84	37	63	1/4" NPTF
	0 - 70	0 - 1000	<b>G-2514SL</b>	10	1	100	20	93	31	63	SAE #4
	0 - 200	0 - 3000	<b>G-2516SL</b>	50	5	500	50	93	31	63	SAE #4
	0 - 400	0 - 6000	<b>G-2517SL</b>	100	10	1000	100	93	31	63	SAE #4
	0 - 700	0 - 10.000	<b>G-2535SL</b>	100	10	2000	200	93	31	63	SAE #4
<b>▼ Pressure gauge – Rear mount</b>											
	0 - 70	0 - 1000	<b>G-2531R</b>	10	1	100	20	63	37	63	1/4" NPTF
	0 - 400	0 - 6000	<b>G-2534R</b>	100	10	1000	100	63	37	63	1/4" NPTF
	0 - 700	0 - 10.000	<b>G-2537R</b>	100	10	2000	200	63	37	63	1/4" NPTF
	0 - 70	0 - 1000	<b>G-2531SR</b>	10	1	100	20	62	31	63	SAE #4
	0 - 200	0 - 3000	<b>G-2533SR</b>	50	5	500	50	62	31	63	SAE #4
	0 - 400	0 - 6000	<b>G-2534SR</b>	100	10	1000	100	62	31	63	SAE #4
	0 - 700	0 - 10.000	<b>G-2537SR</b>	100	10	2000	200	62	31	63	SAE #4
	0 - 70	0 - 1000	<b>1531R *</b>	10	1	100	20	50	25	38	1/8" NPTF
	0 - 200	0 - 3000	<b>1533R *</b>	50	10	500	100	50	25	38	1/8" NPTF
	0 - 400	0 - 6000	<b>1534R *</b>	100	10	1000	100	50	25	38	1/8" NPTF
	0 - 700	0 - 10.000	<b>1537R *</b>	100	10	2000	200	50	25	38	1/8" NPTF

\* Dry gauges.